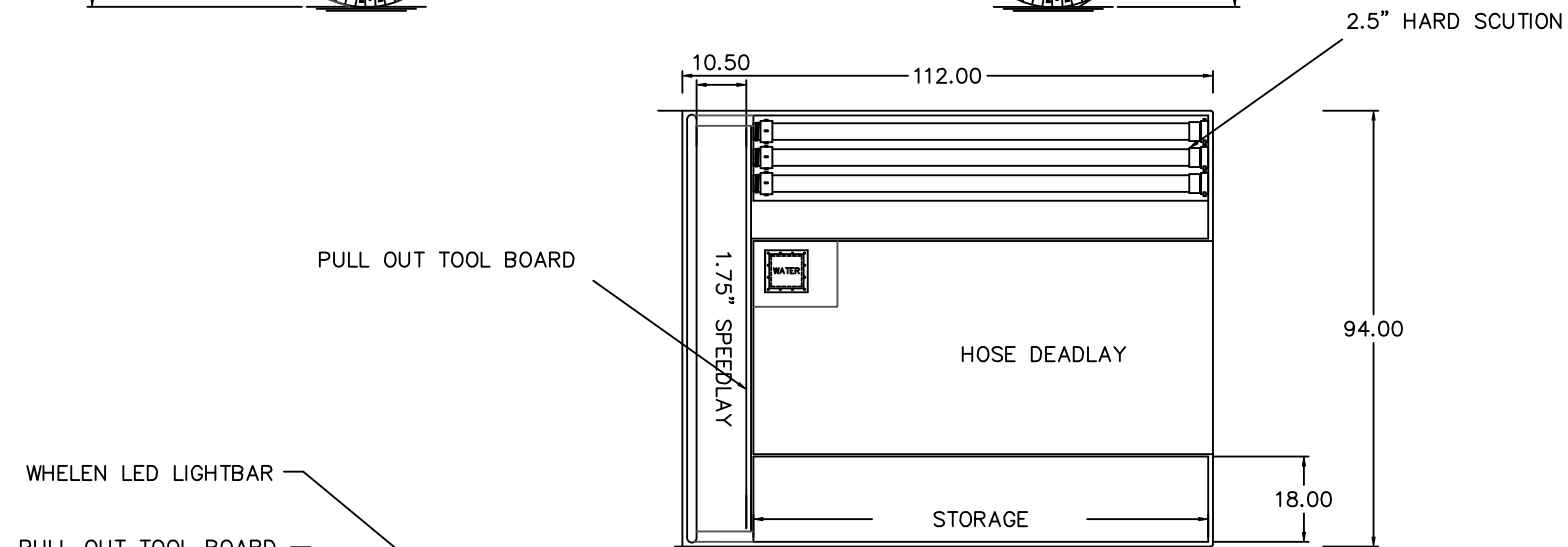
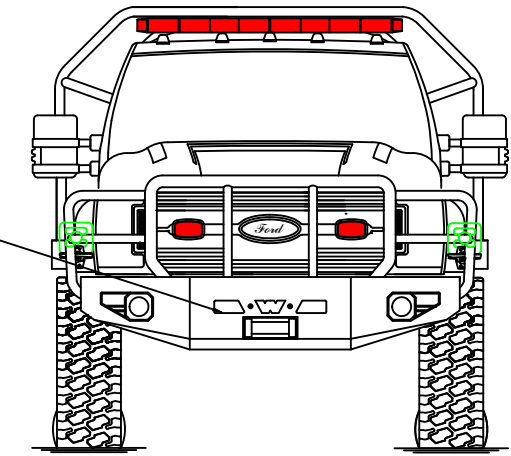
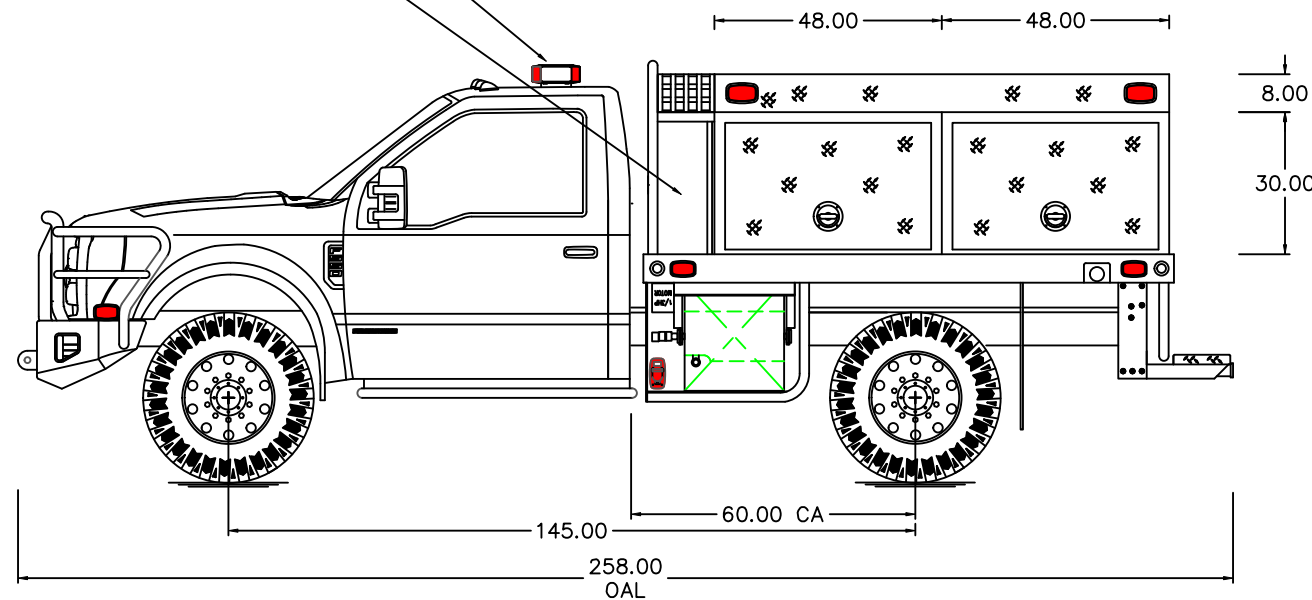


WARN 15,000LBS PERMANENT WINCH



WHELEN LED LIGHTBAR

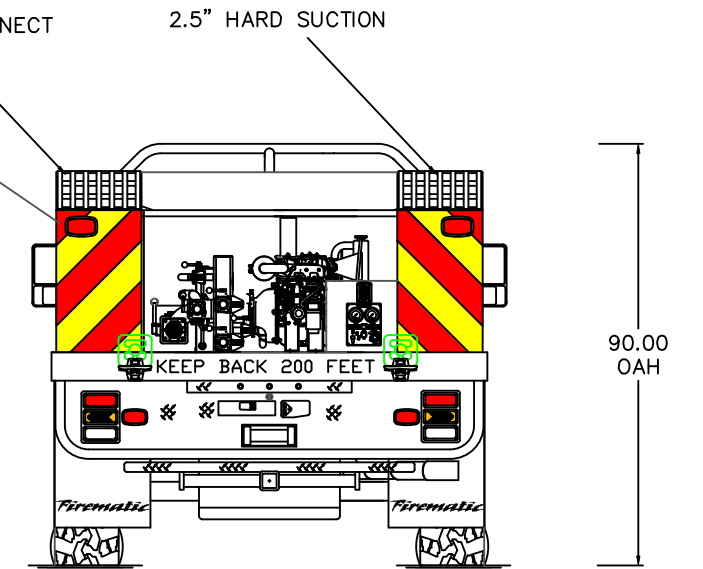
PULL OUT TOOL BOARD



1.5" PRECONNECT

2.5" HARD SUCTION

WHELEN M6 DUO RED/WHITE WARNING/SCENE



NOTE
THIS DRAWING IS CONCEPTUAL AND IS NOT AN EXACT REPRESENTATION OF THE TRUCK DRAWN. DIMENSIONS SHOWN ARE APPROXIMATE AND ARE SUBJECT TO DEVIATION AS MAY OCCUR OR BE NECESSARY DURING CONSTRUCTION.

SOME DETAILS NOT SHOWN.

300 GALLON POLY-TANK
WATEROUS E-511 DIESEL PUMP
SUPER SINGLE FOUNDERS MT RADIAL TIRE PACKAGE

REVISION NOTES

A ORIGINAL

TITLE

RALLY 550 WILDLAND PUMPER

FOR

**SLOATSBURG FD
SLOATSBURG, NY**

JOB NO. 2157

DATE MAR 3, 2023

CHASSIS DATA FORD F-550 REGULAR CAB

DRAWN BY K. ZIMMERLY

APPROVED BY D. HORTON

SHEET NO. 1 / 1

Firematic MANUFACTURING